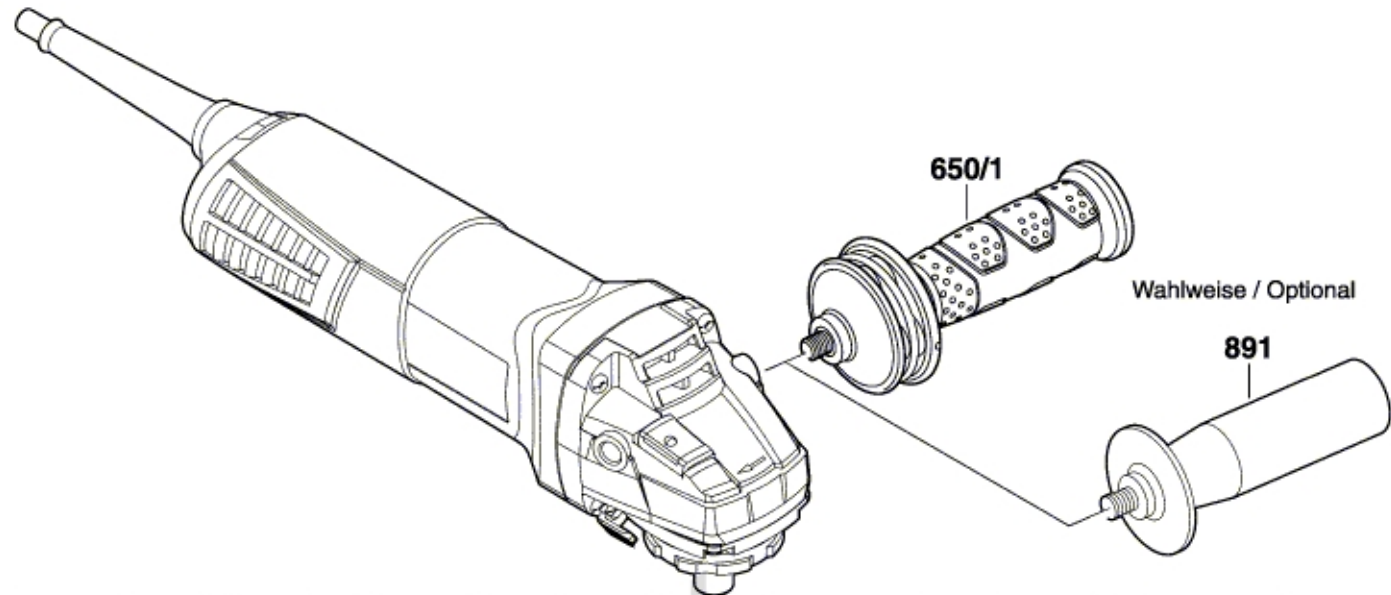


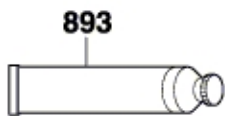
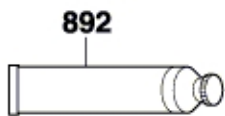
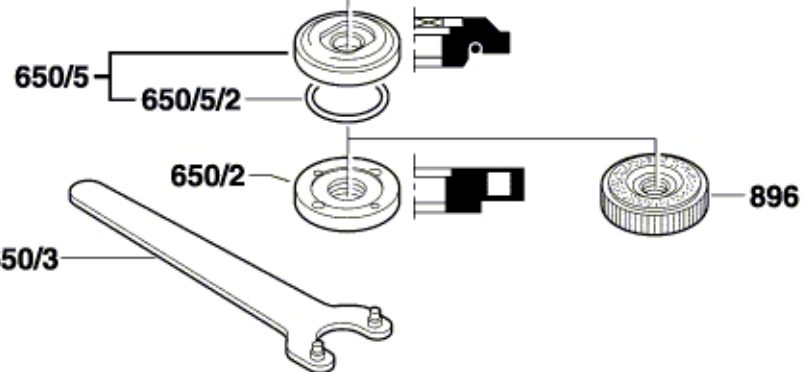
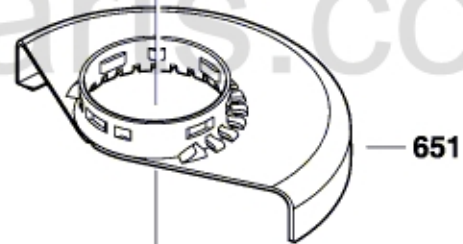
3 601 G90 000

Stand } 11-09
Issue } 14-03-27

Fig./Abb. 2



toolspareparts.com.au



Änderungen vorbehalten
Modifications reserved
Modifications reserves
Salvo modificaciones